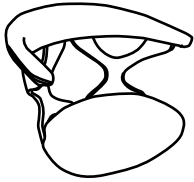
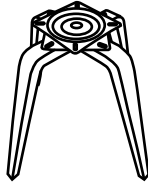


Part # CH-GARD XX + XX

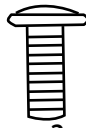
120315

**PARTS**

A



B

x2  
6X25mm

C

x2  
6x20mm

D

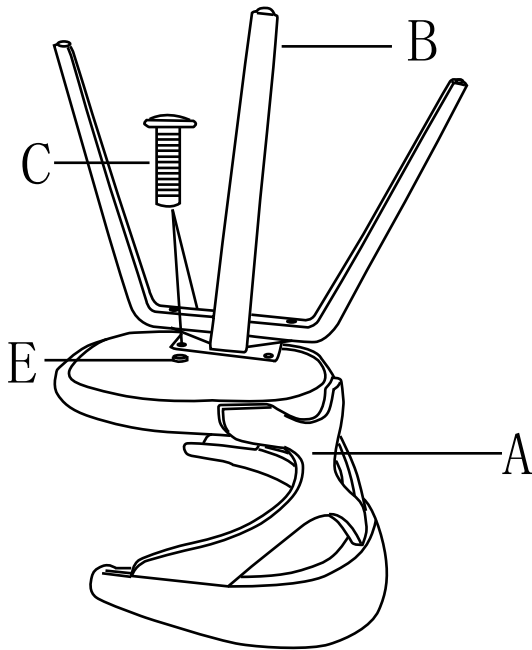
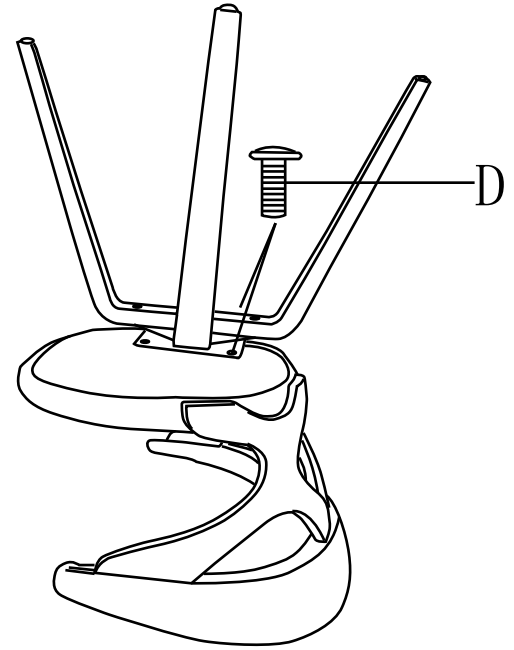
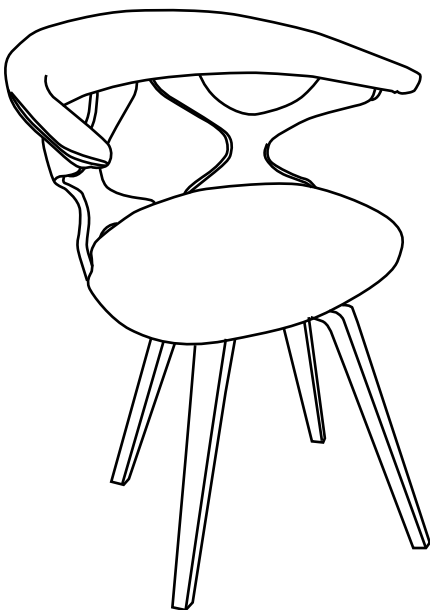


x2

E



F

**1****2****3**

Do not over tighten.

Do not use power tools to assemble.